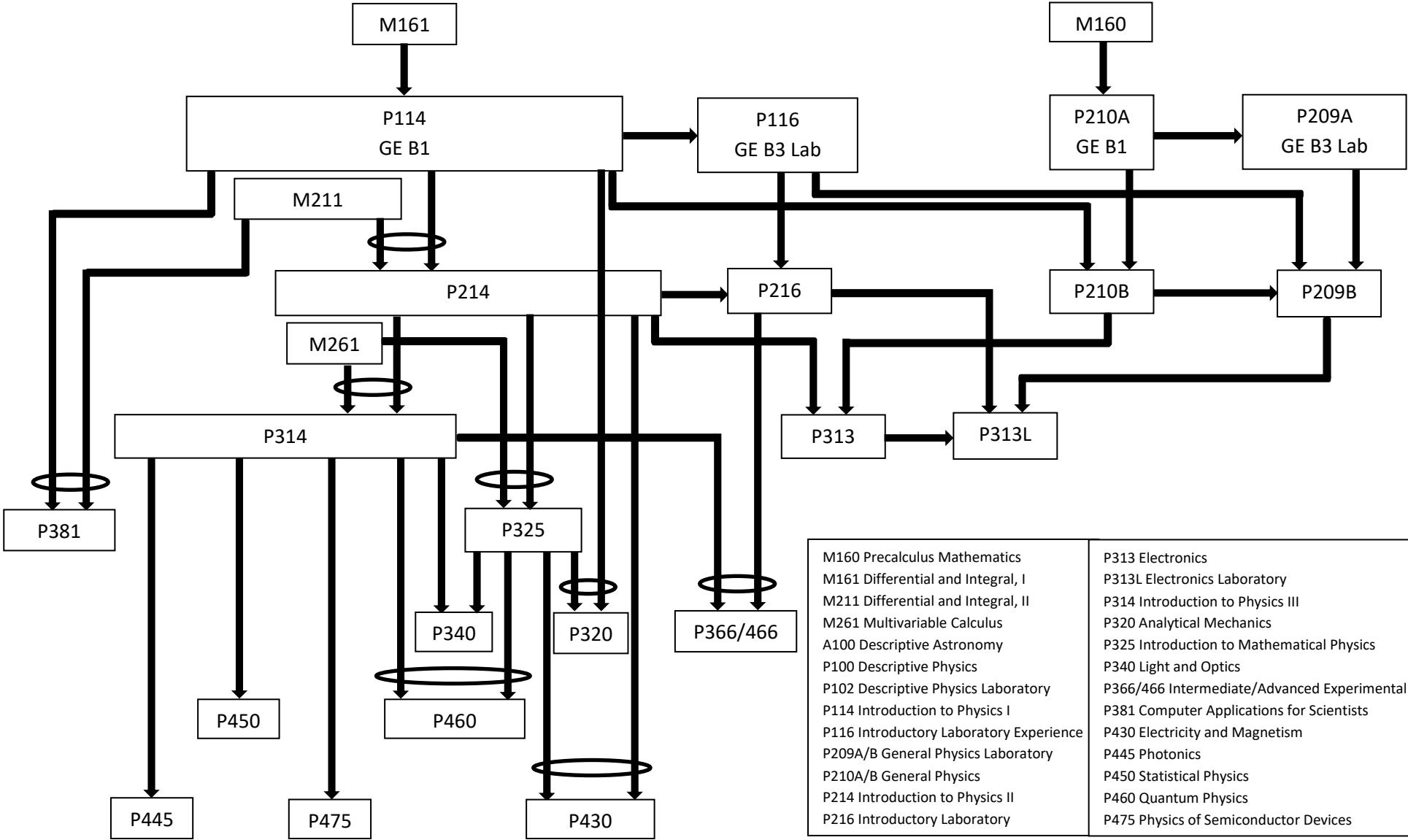
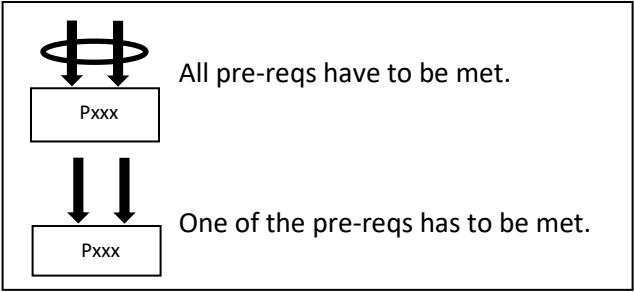


Pre-reqs/Co-reqs of Physics Courses

- A100
GE B1
- P100
GE B1
- P102
GE B3 Lab

P: Physics; **A:** Astronomy; **M:** Math;
 Vertical arrow (↓): Pre-req;
 Horizontal arrow (→): Co-req;
 Phys 300/342/49x not listed here;



- | | |
|--|--|
| M160 Precalculus Mathematics
M161 Differential and Integral, I
M211 Differential and Integral, II
M261 Multivariable Calculus
A100 Descriptive Astronomy
P100 Descriptive Physics
P102 Descriptive Physics Laboratory
P114 Introduction to Physics I
P116 Introductory Laboratory Experience
P209A/B General Physics Laboratory
P210A/B General Physics
P214 Introduction to Physics II
P216 Introductory Laboratory | P313 Electronics
P313L Electronics Laboratory
P314 Introduction to Physics III
P320 Analytical Mechanics
P325 Introduction to Mathematical Physics
P340 Light and Optics
P366/466 Intermediate/Advanced Experimental Physics
P381 Computer Applications for Scientists
P430 Electricity and Magnetism
P445 Photonics
P450 Statistical Physics
P460 Quantum Physics
P475 Physics of Semiconductor Devices |
|--|--|